

WOW

INSTRUCTION MANUAL

NEURAL SERIES: W-IR-NS 5 Aluminium



NEURAL SERIES

Neural Aluminium Frame



Neural Aluminium Frames

Marine-Grade Aluminum: Superior Durability and Quality

Marine-grade aluminum is widely recognized for its corrosion resistance, even in highly humid environments or those exposed to salt air.

Lightweight and durable, this material combines high performance with a refined aesthetic, making it ideal for applications requiring premium finishes and long-lasting reliability. Additionally, it is 100% recyclable, contributing to a more sustainable and high-standard product.

Available colors and finishes:

- Matte aluminum
- Brushed aluminum
- Matte black
- Brushed black
- Matte gold
- Brushed gold

W-IR-NS 5 ALUMINIUM

NEURAL SERIES

Esse equipamento deve ser utilizado em sistemas de automação residencial respeitando suas funções e os limites de potência descritos nesse manual. Sempre com orientação técnica.

Obs.: Para o bom funcionamento do produto, aconselhamos seu uso sempre com produtos homologados.

WORK CONDITIONS

Working temperature (ambient) 1° to 60° C

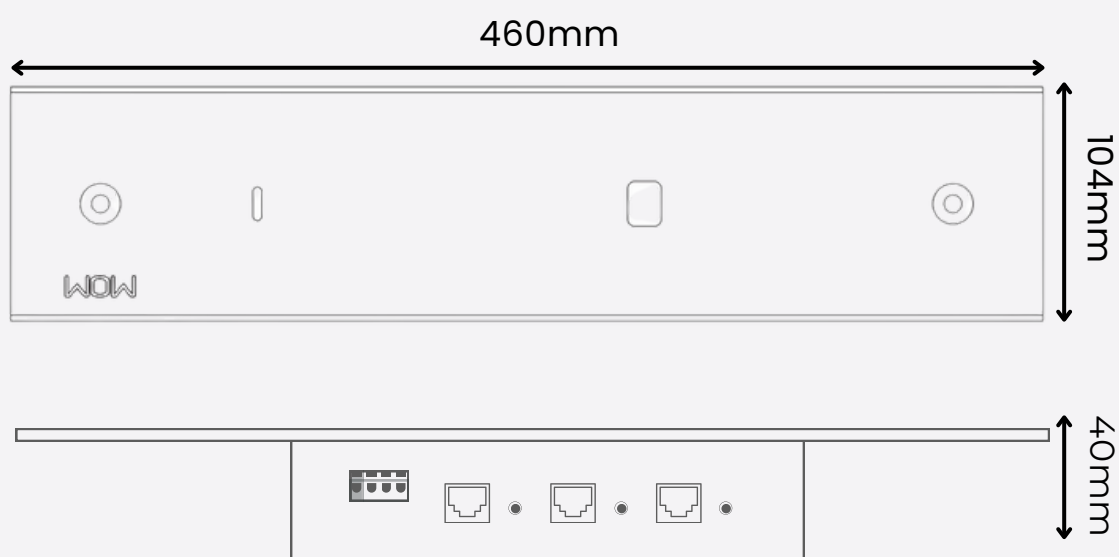
SPECIFICATIONS

Consumption: 1.8A DC

IDENTIFICATION OF CIRCUITS

The W-IR-NS 5 ALUMINIUM consists of 5 IR outputs each consisting of 1 RJ45 (IR signal and PoE) and 1 P2 (IR signal), 3 key inputs and 1 GND, 1 reset button, 1 network, GND and 5V for power supply.

DIMENSIONS

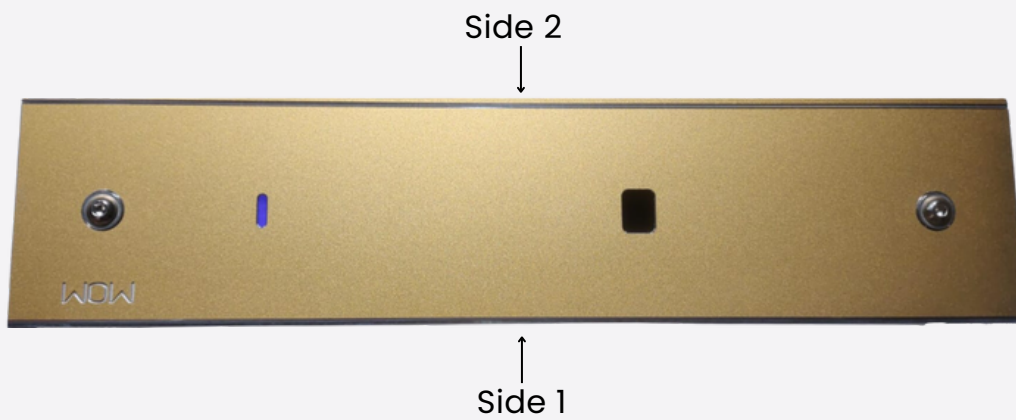


W-IR-NS 5 ALUMINIUM

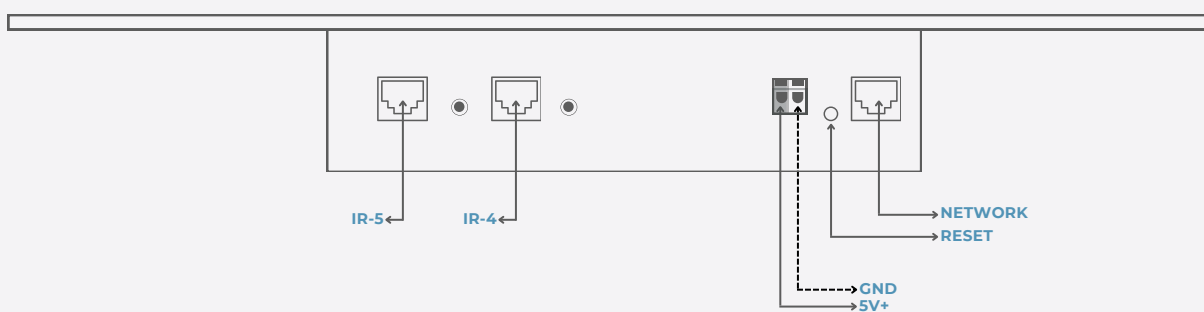
NEURAL SERIES

ELECTRICAL DIAGRAM

See details below about positioning of inputs and outputs.



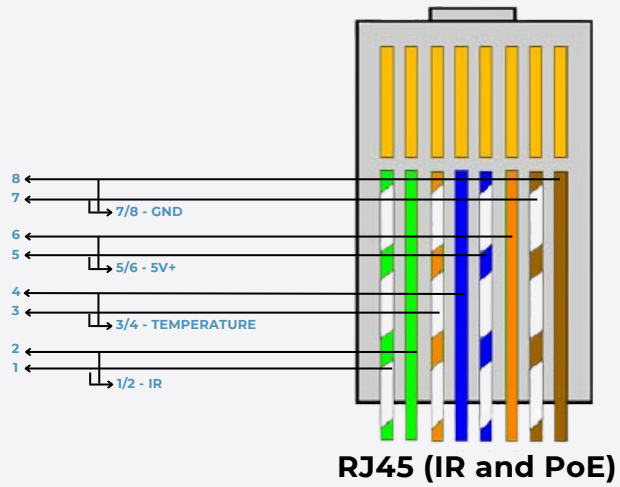
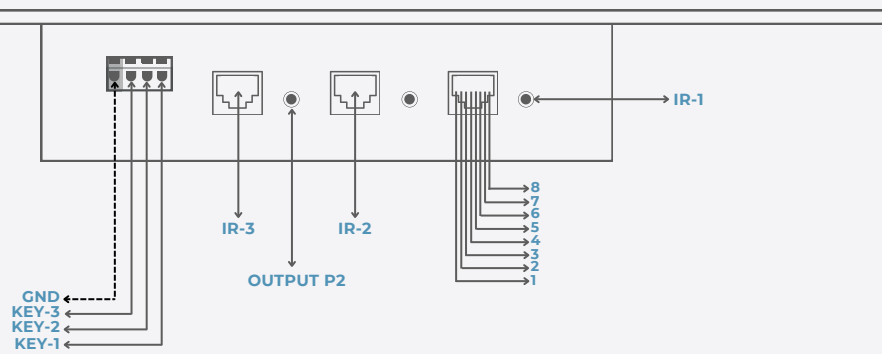
SIDE 1



W-IR-NS 5 ALUMINIUM

NEURAL SERIES

SIDE 2





Talk to us



+55 11 3797-6844



www.wow.ind.br



Contato@wow.ind.br